

# *Application Manual*

Real Time Clock Module

**RX-4571NB**

EPSON TOYOCOM CORPORATION

## NOTICE

- The material is subject to change without notice.
- Any part of this material may not be reproduced or duplicated in any form or any means without the written permission of Epson Toyocom.
- The information, applied circuit, program, usage etc., written in this material is just for reference. Epson Toyocom does not assume any liability for the occurrence of infringing any patent or copyright of a third party. This material does not authorize the licensing for any patent or intellectual copyrights.
- Any product described in this material may contain technology or the subject relating to strategic products under the control of the Foreign Exchange and Foreign Trade Law of Japan and may require an export licence from the Ministry of International Trade and industry or other approval from another government agency.
- You are requested not to use the products (and any technical information furnished, if any) for the development and/or manufacture of weapon of mass destruction or for other military purposes. You are also requested that you would not make the products available to any third party who may use the products for such prohibited purposes.
- These products are intended for general use in electronic equipment. When using them in specific applications that require extremely high reliability such as applications stated below, it is required to obtain the permission from Epson Toyocom in advance.
  - / Space equipment (artificial satellites, rockets, etc) / Transportation vehicles and related (automobiles, aircraft, trains, vessels, etc) / Medical instruments to sustain life / Submarine transmitters
  - / Power stations and related / Fire work equipment and security equipment / traffic control equipment
  - / and others requiring equivalent reliability.
- In this manual for Epson Tyocom, product code and marking will still remain as previously identified prior to the merger. Due to the on going strategy of gradual unification of part numbers, please review product code and marking as they will change during the course of the coming months. We apologize for the inconvenience, but we will eventually have a unified part numbering system for Epson Toyocom which will be user friendly.

## Contents

1. Overview.....	1
2. Block Diagram .....	1
3. Terminal description .....	2
3.1. Terminal connections.....	2
3.2. Pin Functions.....	2
4. External Dimensions / Marking Layout .....	3
5. Absolute Maximum Ratings .....	4
6. Recommended Operating Conditions.....	4
7. Frequency Characteristics .....	4
8. Electrical Characteristics .....	5
8.1. DC characteristics.....	5
8.2. AC characteristics.....	6
9. Matters that demand special attention on use .....	7
9.1. VDD and CE timing.....	7
9.2. Migrating to backup, and returning .....	7
9.3. Restrictions on Access Operations During Power-on Initialization and Recovery from Backup ....	8
10.1. Reference information .....	9
10.1. Reference Data .....	9
10.2. External connection example.....	9
11. Application notes .....	10
12. Overview of Functions and Description of Registers .....	11
12.1. Overview of Functions.....	11
12.2. Register table.....	12
13. Description of Functions .....	13
13.1. Description of registers.....	13
13.2. Fixed-cycle Timer Interrupt Function.....	19
13.3. Alarm Interrupt Function.....	23
13.4. /IRQ "L" Interrupt Output When Interrupt Function Operates.....	26
13.5. FOUT function [ clock output function].....	27
13.6. Read/Write of data .....	29

## LOW BACKUP VOLTAGE SERIAL-INTERFACE REAL TIME CLOCK MODULE

# RX – 4571 NB

- Built-in 32.768-kHz crystal resonator (with controlled frequency precision).
- Interface type : 3-wire serial interface
- Interface voltage range : 1.6 V to 5.5 V
- Voltage when during hold (timer hold) : 1.0 V to 5.5 V / Ta = +25 °C
- Current consumption during backup : 320 nA (Typ.) / 3 V
- 32.768-kHz output function with output control : C-MOS output With Control Pin
- Real-time clock function  
Clock/calendar function, auto leap year correction function, alarm interrupt function, etc.

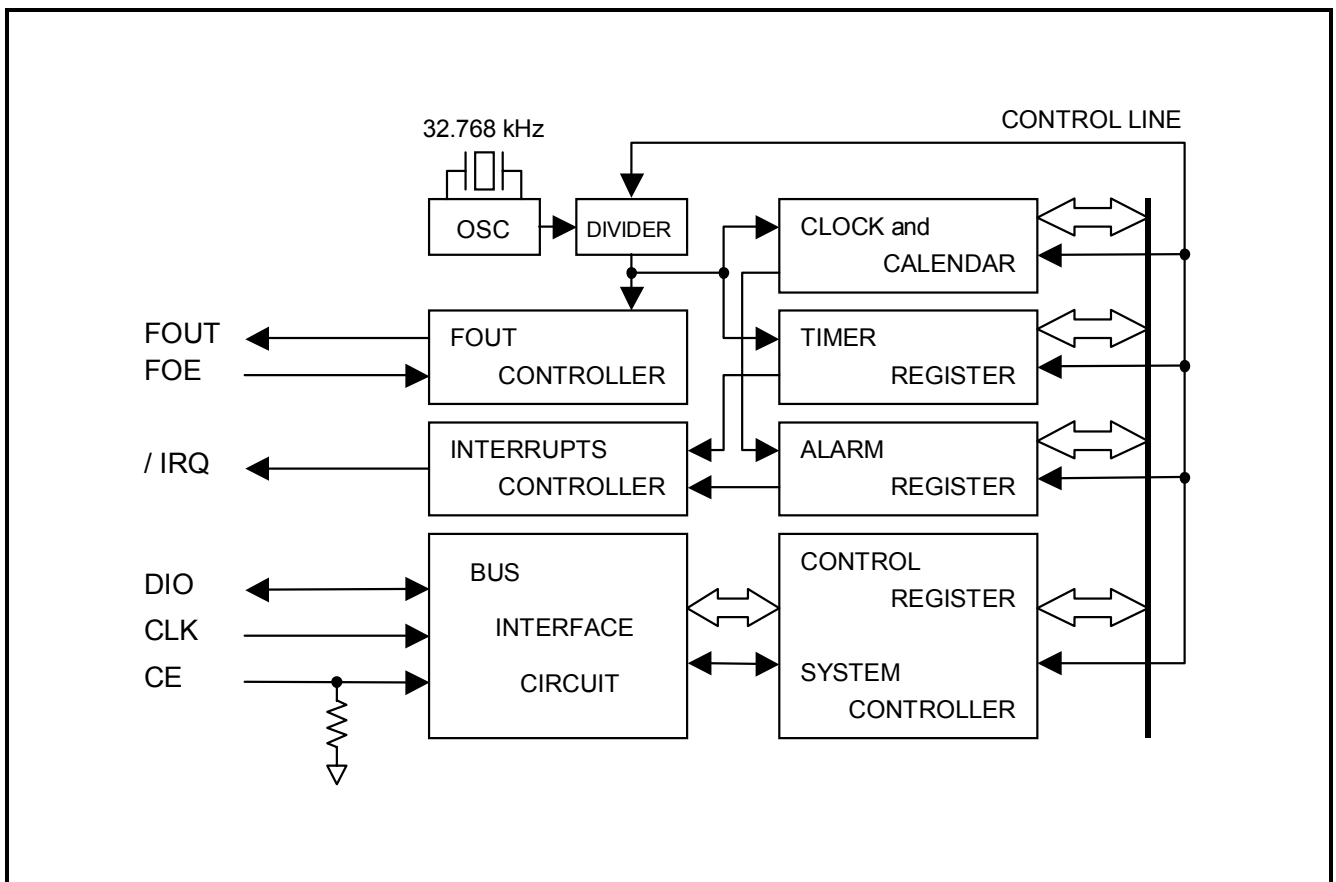
## 1. Overview

This module is a serial interface real time clock that has a built-in crystal unit.

The module offers many functions such as clock & calendar circuitry with automatic leap year adjustment (from seconds to year), alarm, and Timer interrupt. In addition, it can detect stopping of oscillation and time update.

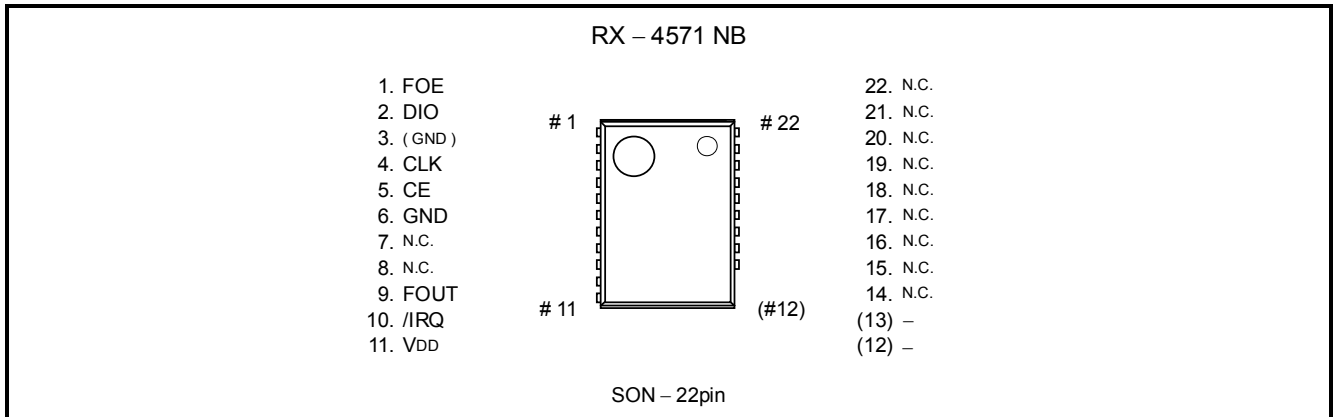
All of these many functions are implemented in a thin, compact SON package, which makes it suitable for various kinds of mobile telephones and other small electronic devices.

## 2. Block Diagram



### 3. Terminal description

#### 3.1. Terminal connections



#### 3.2. Pin Functions

Signal name	I/O	Function																						
CE	Input	This is the chip enabled input pin. It has a built-in pull-down resistance. When both CE pin is at the "H" level, access to this RTC becomes possible.																						
CLK	Input	This is a shift clock input pin for serial data transmission. In the write mode, it takes in data from the DIO pin using the CLK signal rise edge. In the read mode, it outputs data from the DIO pin using the fall edge.																						
DIO	Bi-directional	This is a data input/output pin for serial data transmission. After the input rise of CE, by using the first 8-bit write data to set the write or read mode, this pin can be set as either input pin or output pin.																						
FOUT	Output	The FOUT pin is a clock output (C-MOS output) pin with control output. The FOE pin is an input pin used to control the output mode of the FOUT output pin. The FOE input pin can be used in combination with the FSEL1 bit and FSEL0 bit to select the output frequency from the FOUT output pin (32.768 kHz, 1024 Hz, or 1 Hz) or to stop output. When output is stopped, the CLKOUT output pin is at high impedance.																						
FOE	Input	<table border="1"> <thead> <tr> <th>FOE pin input</th> <th>FSEL1 bit</th> <th>FSEL0 bit</th> <th>FOUT pin output</th> </tr> </thead> <tbody> <tr> <td rowspan="3">X ( Don't care )</td> <td>0</td> <td>0</td> <td>32768 Hz Output ( C-MOS output )</td> </tr> <tr> <td>0</td> <td>1</td> <td>1024 Hz Output ( C-MOS output )</td> </tr> <tr> <td>1</td> <td>0</td> <td>1 Hz Output ( C-MOS output )</td> </tr> <tr> <td>" H "</td> <td>1</td> <td>1</td> <td>32768 Hz Output ( C-MOS output ) *</td> </tr> <tr> <td>" L "</td> <td>1</td> <td>1</td> <td>OFF ( high impedance )</td> </tr> </tbody> </table> <p>* During the initial power-on (when power is applied from 0 V), if the FOE input pin is at high level (= H), the power-on reset function selects 32.768 kHz as the frequency.</p>	FOE pin input	FSEL1 bit	FSEL0 bit	FOUT pin output	X ( Don't care )	0	0	32768 Hz Output ( C-MOS output )	0	1	1024 Hz Output ( C-MOS output )	1	0	1 Hz Output ( C-MOS output )	" H "	1	1	32768 Hz Output ( C-MOS output ) *	" L "	1	1	OFF ( high impedance )
FOE pin input	FSEL1 bit	FSEL0 bit	FOUT pin output																					
X ( Don't care )	0	0	32768 Hz Output ( C-MOS output )																					
	0	1	1024 Hz Output ( C-MOS output )																					
	1	0	1 Hz Output ( C-MOS output )																					
" H "	1	1	32768 Hz Output ( C-MOS output ) *																					
" L "	1	1	OFF ( high impedance )																					
/ IRQ	Output	This pin outputs alarm signals, fixed timer interrupt signals, and other interrupt signals at low level (= " L "). This pin is an open drain pin.																						
VDD	-	This pin connects to the plus side of the power.																						
GND	-	This pin connects to the minus side (ground) of the power.																						
( GND )	-	Do not connect them to any external equipment.																						
N.C.	-	This pin is not connected internally. But , In RX-4571NB( SON-22pin ), all pins from 14 pin to 22 pin are connected with inside frame mutually. Use OPEN, or GND or VDD to connect.																						

Note : Be sure to connect a bypass capacitor rated at least 0.1 μF between VDD and GND.

### 4. External Dimensions / Marking Layout

#### 4.1. External Dimensions

RX – 4571 NB (SON – 22pin)

**External dimensions**

1.3 ± 0.1  
0.125  
6.3 Max.  
# 22 # 14  
5.0 ± 0.2  
4.8  
# 1 0.2 0.5 # 11

The cylinder of the crystal oscillator may be exposed in this area (top and bottom), however it has no affect on the performance of the device.

**Soldering pattern**

# 1 # 11  
# 22 # 14  
0.7  
0.25 0.75  
4.0  
0.7  
0.8  
1.4  
# 1 P 0.5 × 10 = 5.0 # 11  
5.25 0.7

In this area, (⊙) is connected to internal circuit. In this area, do not pattern layout surely. It becomes the cause of trouble.

Pattern (GND, power line, signal line, soldering pattern, etc) is not allowed. In this area, at a parts side of board, do not pattern layout surely.  
\* In an area (⊙) of the product bottom side, a terminal connected to an IC inside is exposed. When the circuit pattern contacts those terminal, it will cause serious obstruction to the oscillation, function or electronic spec.

It is the best design that there is no signal line in this area. Please fill it up with GND pattern if possible.

Unit : mm

#### 4.2. Marking Layout

RX – 4571 NB (SON – 22pin)

Type

Logo

Production lot

\* Contents displayed indicate the general markings and display, but are not the standards for the fonts, sizes and positioning.

## 5. Absolute Maximum Ratings

GND = 0 V

Item	Symbol	Condition	Rating	Unit
Supply voltage	V <sub>DD</sub>	Between V <sub>DD</sub> and GND	-0.3 to +6.5	V
Input voltage	V <sub>IN</sub>	CE, CLK, DIO, FOE pins	GND-0.3 to +6.5	V
Output voltage (1)	V <sub>OUT1</sub>	DIO, FOUT pins	GND-0.3 to V <sub>DD</sub> +0.3	V
Output voltage (2)	V <sub>OUT2</sub>	/IRQ pin	GND-0.3 to +6.5	V
Storage temperature	T <sub>STG</sub>	When stored separately, without packaging	-55 to +125	°C

## 6. Recommended Operating Conditions

GND = 0 V V

Item	Symbol	Condition	Min.	Typ.	Max.	Unit
Operating supply voltage	V <sub>DD</sub>	–	1.6	3.0	5.5	V
Clock supply voltage	V <sub>CLK</sub>	T <sub>a</sub> = +25 °C	1.0	3.0	5.5	V
		T <sub>a</sub> = -40 °C to +85 °C	1.1	3.0	5.5	V
Operating temperature	T <sub>OPR</sub>	No condensation	-40	+25	+85	°C

## 7. Frequency Characteristics

GND = 0 V

Item	Symbol	Condition	Rating			Unit
Output frequency	f <sub>o</sub>		32.768 <sup>(Typ.)</sup>			kHz
Frequency/voltage characteristics	$\Delta f / f$	T <sub>a</sub> = +25 °C V <sub>DD</sub> = 3.0 V	5 ± 23 <sup>(*1)</sup>			× 10 <sup>-6</sup>
Frequency/voltage characteristics	f / V	T <sub>a</sub> = +25 °C V <sub>DD</sub> = 2.0 V ~ 5.0 V	-2		+2	× 10 <sup>-6</sup> / V
Frequency/temperature characteristics	T <sub>op</sub>	T <sub>a</sub> = -20 °C to +70 °C, V <sub>DD</sub> = 3.0 V ; +25 °C reference	-120		+10	× 10 <sup>-6</sup>
Oscillation start time	t <sub>STA</sub>	T <sub>a</sub> = +25 °C, V <sub>DD</sub> = 1.6 V		0.5	1.0	s
		T <sub>a</sub> = -40 °C to +85 °C V <sub>DD</sub> = 1.6 V			3.0	s
Aging	f <sub>a</sub>	T <sub>a</sub> = +25 °C, V <sub>DD</sub> = 3.0 V ; first year	-5		+5	× 10 <sup>-6</sup> / year

\*1) This difference is 1 minute by 1 month. ( excluding offset )

## 8. Electrical Characteristics

### 8.1. DC characteristics

#### 8.1.1. DC characteristics ( 1 )

\* Unless otherwise specified, GND = 0 V, V<sub>DD</sub> = 1.6 V to 5.5 V  
Ta = -40 °C to +85 °C

Item	Symbol	Condition	Min.	Typ.	Max.	Unit
Current consumption (1)	I <sub>DD1</sub>	CE = OPEN ( or GND ) /IRQ = OFF	V <sub>DD</sub> = 5 V	0.40	1.00	μA
Current consumption (2)	I <sub>DD2</sub>	FOUT ; output OFF ( Hi - z )	V <sub>DD</sub> = 3 V	0.32	0.95	
Current consumption (3)	I <sub>DD3</sub>	CE = OPEN ( or GND ) /IRQ = OFF, FOE = V <sub>DD</sub>	V <sub>DD</sub> = 5 V	3.5	6.0	μA
Current consumption (4)	I <sub>DD4</sub>	FOUT; 32.768 kHz output ON , CL = 0 pF	V <sub>DD</sub> = 3 V	2.0	3.5	
Current consumption (5)	I <sub>DD5</sub>	CE = OPEN ( or GND ) /IRQ = OFF, FOE = V <sub>DD</sub>	V <sub>DD</sub> = 5 V	8.0	14.0	μA
Current consumption (6)	I <sub>DD6</sub>	FOUT; 32.768 kHz output ON , CL = 30 pF	V <sub>DD</sub> = 3 V	5.0	8.5	
Input leakage current	I <sub>LK</sub>	CE pin ; V <sub>IN</sub> = GND CLK, FOE pins ; V <sub>IN</sub> = V <sub>DD</sub> or GND	-0.5		0.5	μA
Output leakage current	I <sub>OZ</sub>	DATA, / IRQ, FOUT pins, V <sub>OUT</sub> = V <sub>DD</sub> or GND	-0.5		0.5	μA

#### 8.1.2. DC characteristics ( 2 )

\* Unless otherwise specified, GND = 0 V, V<sub>DD</sub> = 1.6 V to 5.5 V  
Ta = -40 °C to +85 °C

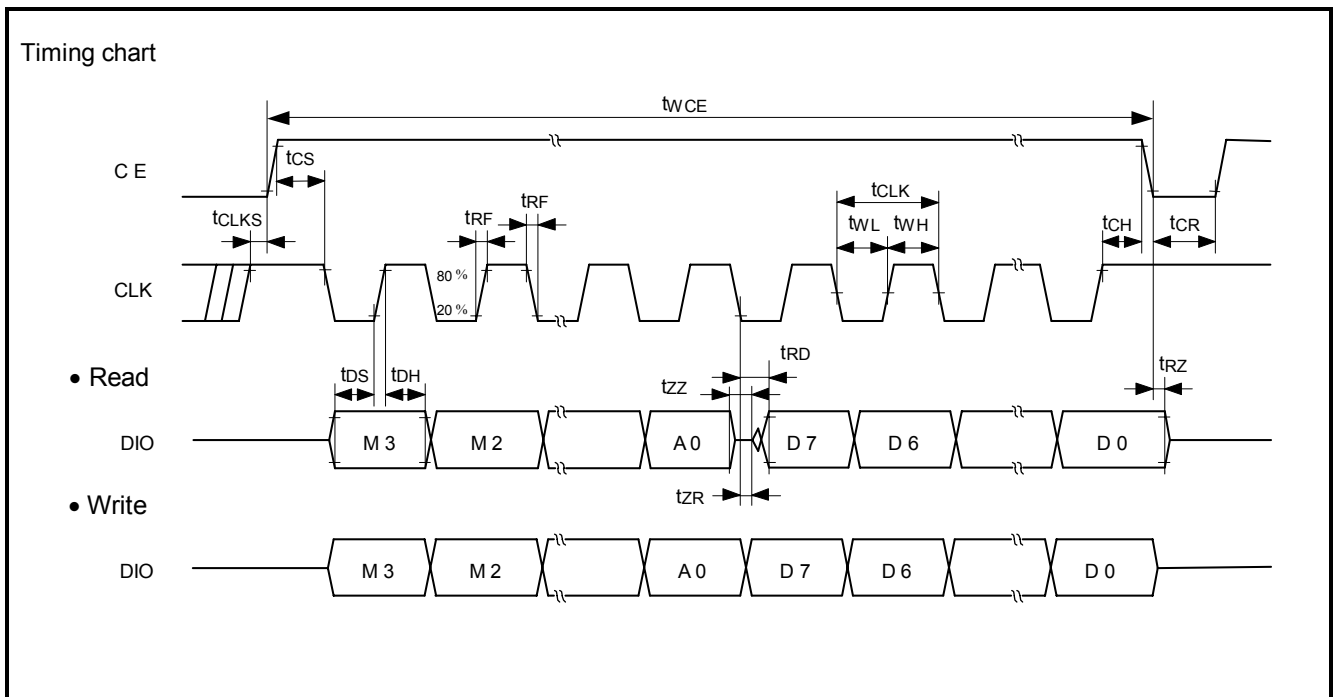
Item	Symbol	Condition	Min.	Typ.	Max.	Unit	
High-level input voltage	V <sub>IH1</sub>	CE, CLK, FOE pins	V <sub>DD</sub> = 1.6 V to 5.5 V	0.70 × V <sub>DD</sub>	6.5	V	
	V <sub>IH2</sub>		V <sub>DD</sub> = 5 V ± 10 %	0.75 × V <sub>DD</sub>	6.5	V	
	V <sub>IH3</sub>	DIO pin	V <sub>DD</sub> = 1.6 V to 5.5 V	0.70 × V <sub>DD</sub>	V <sub>DD</sub> + 0.3	V	
	V <sub>IH4</sub>		V <sub>DD</sub> = 5 V ± 10 %	0.75 × V <sub>DD</sub>	V <sub>DD</sub> + 0.3	V	
Low-level input voltage	V <sub>IL1</sub>	CE, CLK, DATA, FOE pins	GND - 0.3		0.3 × V <sub>DD</sub>	V	
	V <sub>IL2</sub>	CE, CLK, DATA, FOE pins ( 5 V ± 10 % )	GND - 0.3		0.25 × V <sub>DD</sub>	V	
High-level output voltage	V <sub>OH1</sub>	DIO, FOUT pins	V <sub>DD</sub> = 5 V, I <sub>OH</sub> = -1 mA	4.5	5.0	V	
	V <sub>OH2</sub>		V <sub>DD</sub> = 3 V, I <sub>OH</sub> = -1 mA	2.2	3.0		
	V <sub>OH3</sub>		V <sub>DD</sub> = 3 V, I <sub>OH</sub> = -100 μA	2.9	3.0		
Low-level output voltage	V <sub>OL1</sub>	DIO, FOUT pins	V <sub>DD</sub> = 5 V, I <sub>OL</sub> = 1 mA	GND	GND+0.5	V	
	V <sub>OL2</sub>		V <sub>DD</sub> = 3 V, I <sub>OL</sub> = 1 mA	GND	GND+0.8		
	V <sub>OL3</sub>		V <sub>DD</sub> = 3 V, I <sub>OL</sub> = 100 μA	GND	GND+0.1		
	V <sub>OL4</sub>	/ IRQ pin	V <sub>DD</sub> = 5 V, I <sub>OL</sub> = 1 mA	GND	GND+0.25	V	
	V <sub>OL5</sub>		V <sub>DD</sub> = 3 V, I <sub>OL</sub> = 1 mA	GND	GND+0.4		
Input resistance (1)	R <sub>DWN1</sub>	CE pin	V <sub>DD</sub> = 5 V	75	150	300	kΩ
Input resistance (2)	R <sub>DWN2</sub>	V <sub>IN</sub> = V <sub>DD</sub>	V <sub>DD</sub> = 3 V	150	300	600	kΩ



8.2. AC characteristics

\* Unless otherwise specified, GND = 0 V, Ta = -40 °C to +85 °C

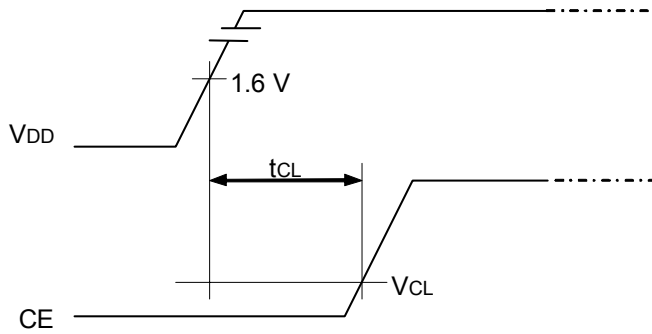
Item	Symbol	Condition	VDD = 3 V ± 10 %		VDD = 5 V ± 10 %		単位
			Min.	Max.	Min.	Max.	
CLK clock cycle	t <sub>CLK</sub>		500		350		ns
CLK H pulse width	t <sub>WH</sub>		250		175		ns
CLK L pulse width	t <sub>WL</sub>		250		175		ns
CLK rise and fall time	t <sub>RF</sub>			100		50	ns
CLK setup time	t <sub>CLKS</sub>		50		25		ns
CE setup time	t <sub>CS</sub>		200		150		ns
CE hold time	t <sub>CH</sub>		200		100		ns
CE recovery time	t <sub>CR</sub>		300		200		ns
CE enable time	t <sub>WCE</sub>			0.95		0.95	s
Write data setup time	t <sub>DS</sub>		100		50		ns
Write data hold time	t <sub>DH</sub>		100		50		ns
Read data delay time	t <sub>RD</sub>	CL=50 pF		200		150	ns
DO output switching time	t <sub>ZR</sub>			50		25	ns
DO output disable time	t <sub>RZ</sub>	CL=50 pF RL=10 kΩ		200		100	ns
DI/DO conflict avoiding time	t <sub>ZZ</sub>		0		0		ns



9. Matters that demand special attention on use

9.1. VDD and CE timing

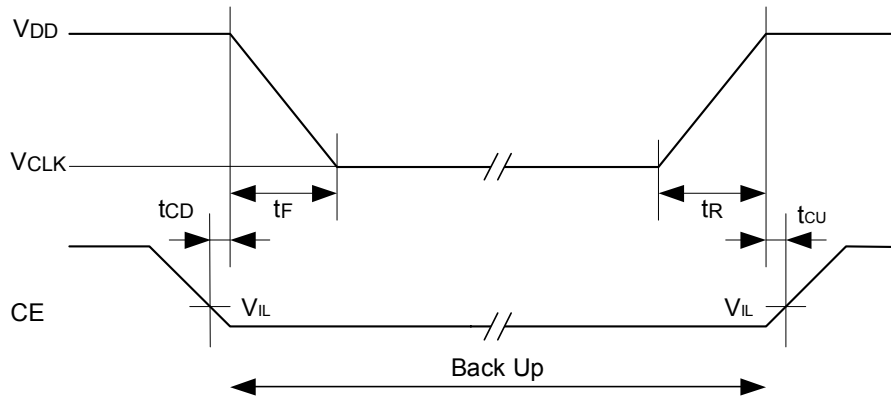
\* When the power is turned to ON, use with CE = "L" (V<sub>CL</sub>[V] in the diagram ) as illustrated in the following timing chart.



Item	Symbol	Remark	Specification	Unit
CE voltage when power is turned to ON	V <sub>CL</sub>	CE impressed voltage until V <sub>DD</sub> = 1.6 V	0.3 (Max.)	V
CE=V <sub>CL</sub> [V] time when power is turned to ON	t <sub>CL</sub>	Time to maintain CE=V <sub>CL</sub> [V] until V <sub>DD</sub> = 1.6 V	30 ( Min. )	ms

9.2. Migrating to backup, and returning

\* When migrating to backup, before switching the power source, make sure CE is definitely LOW and RTC is not selected



Parameter	Symbol	Condition	Min.	Typ.	Max.	Unit
CE time before power drop	t <sub>CD</sub>	–	0			μs
Power drop time	t <sub>F</sub>	–	2			μs / V
Power rise time	t <sub>R</sub>	–	5			μs / V
CE time after power rise	t <sub>CU</sub>	–	0			μs

9.3. Restrictions on Access Operations During Power-on Initialization and Recovery from Backup

- Many of this product's operations are linked to the internal quartz oscillator's clock signal, so normal operation is not possible if there is no internal oscillation (= oscillation is stopped).

Therefore, we recommend that the initial setting to be set during power-on initialization or backup and restore operations (i.e., when the power supply voltage is recovered after oscillation has stopped due to a voltage drop, etc.) should be "first start internal oscillation, then wait for the oscillation stabilization time (see tSTA standard) to elapse".

- Note the following caution points concerning access operations during power-on initialization or when restoring the power supply voltage from backup mode (hereafter referred to as "switching to the operating voltage").

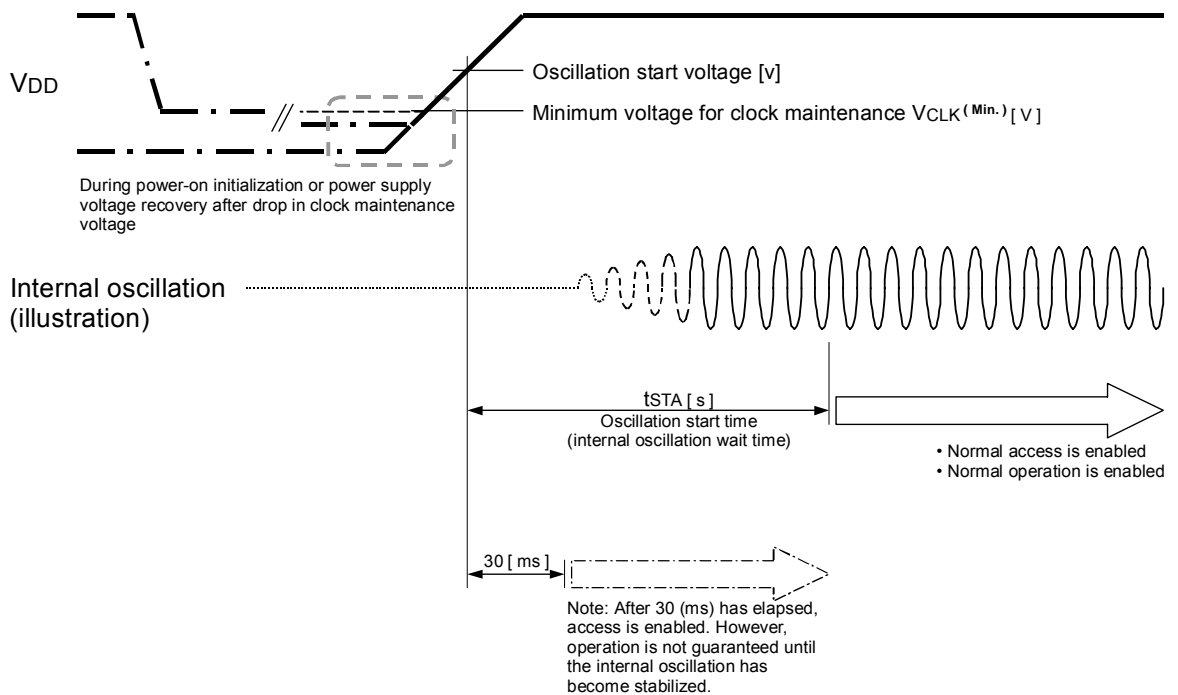
1) Before switching to the operating voltage, read the VLF-bit (which indicates the RTC error status).

2) Initialization is required when the value read from the VLF-bit is "VLF = 1 (error status)".

Before initializing in response to this VLF = "1" result, we recommend first waiting for the internal oscillation stabilization time (see the tSTA standard) to elapse.

Initialization is required when the status after reading a VLF-bit value of "1" is either of the following.  
 (Status 1) During power-on initialization  
 (Status 2) When the clock setting is invalid, such as due to a voltage drop during backup

\* Access timing during power-on initialization and when recovering the power supply voltage after a drop in the voltage used to maintain the clock



3) When the read VLF-bit value is "VLF = 0 (normal status)", access is enabled without waiting for stabilization of oscillation.

Normal operation is enabled under the following two statuses when "0" is read as the VLF-bit value.  
 (Status 1) When correct operation is enabled (except for settings errors while in use)  
 (Status 2) When data is retained normally while switching to the operating voltage from backup mode

10.1. Reference information

10.1. Reference Data

(1) Example of frequency and temperature characteristics [ Finding the frequency stability ]

$\theta_T = +25 \text{ }^\circ\text{C Typ.}$   
 $\alpha = -0.035 \times 10^{-6} \text{ Typ.}$

- Frequency and temperature characteristics can be approximated using the following equations.  

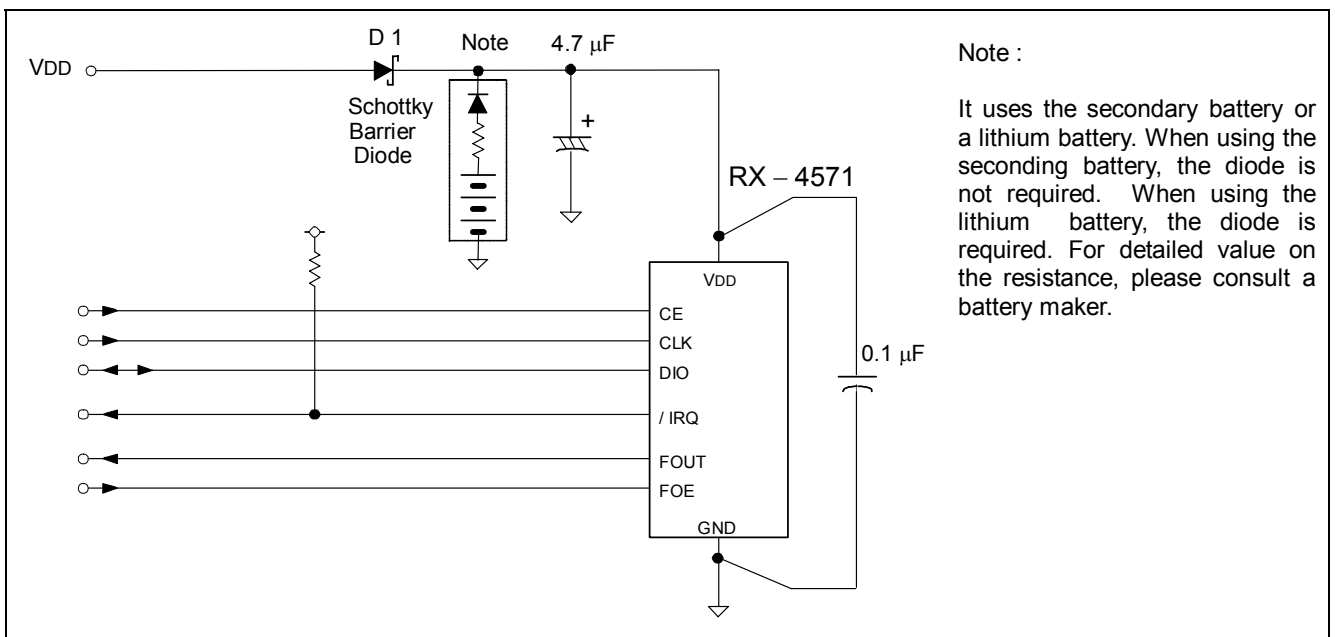
$$\Delta f_T = \alpha (\theta_T - \theta_X)^2$$
  - $\Delta f_T$  : Frequency deviation in any temperature
  - $\alpha [ 1 / ^\circ\text{C}^2 ]$  : Coefficient of secondary temperature  $( -0.035 \pm 0.005 ) \times 10^{-6} / ^\circ\text{C}^2$
  - $\theta_T [ ^\circ\text{C} ]$  : Ultimate temperature  $( +25 \pm 5 \text{ }^\circ\text{C} )$
  - $\theta_X [ ^\circ\text{C} ]$  : Any temperature
- To determine overall clock accuracy, add the frequency precision and voltage characteristics.  

$$\Delta f/f = \Delta f/f_0 + \Delta f_T + \Delta f_V$$
  - $\Delta f/f$  : Clock accuracy (stable frequency) in any temperature and voltage.
  - $\Delta f/f_0$  : Frequency precision
  - $\Delta f_T$  : Frequency deviation in any temperature.
  - $\Delta f_V$  : Frequency deviation in any voltage.
- How to find the date difference  

$$\text{Date Difference} = \Delta f/f \times 86400(\text{Sec})$$

\* For example:  $\Delta f/f = 11.574 \times 10^{-6}$  is an error of approximately 1 second/day.

10.2. External connection example



## 11. Application notes

### 1) Notes on handling


This module uses a C-MOS IC to realize low power consumption. Carefully note the following cautions when handling.


#### (1) Static electricity

While this module has built-in circuitry designed to protect it against electrostatic discharge, the chip could still be damaged by a large discharge of static electricity. Containers used for packing and transport should be constructed of conductive materials. In addition, only soldering irons, measurement circuits, and other such devices which do not leak high voltage should be used with this module, which should also be grounded when such devices are being used.

#### (2) Noise

If a signal with excessive external noise is applied to the power supply or input pins, the device may malfunction or "latch up." In order to ensure stable operation, connect a filter capacitor (preferably ceramic) of greater than 0.1  $\mu\text{F}$  as close as possible to the power supply pins (between VDD and GNDs). Also, avoid placing any device that generates high level of electronic noise near this module.

\* Fig.1  It is the best design that there is no signal line in this area. Please fill it up with GND pattern if possible.

\* Fig.1  Pattern (GND, power line, signal line, soldering pattern, etc) is not allowed. In this area, at a parts side of board, do not pattern layout surely.

#### (3) Voltage levels of input pins

When the input pins are at the mid-level, this will cause increased current consumption and a reduced noise margin, and can impair the functioning of the device. Therefore, try as much as possible to apply the voltage level close to VDD or GND.

#### (4) Handling of unused pins

Since the input impedance of the input pins is extremely high, operating the device with these pins in the open circuit state can lead to unstable voltage level and malfunctions due to noise. Therefore, pull-up or pull-down resistors should be provided for all unused input pins.

### 2) Notes on packaging

#### (1) Soldering heat resistance.

If the temperature within the package exceeds +260 °C, the characteristics of the crystal oscillator will be degraded and it may be damaged. The reflow conditions within our reflow profile is recommended. Therefore, always check the mounting temperature and time before mounting this device. Also, check again if the mounting conditions are later changed.

\* See Fig. 2 profile for our evaluation of Soldering heat resistance for reference.

#### (2) Mounting equipment

While this module can be used with general-purpose mounting equipment, the internal crystal oscillator may be damaged in some circumstances, depending on the equipment and conditions. Therefore, be sure to check this. In addition, if the mounting conditions are later changed, the same check should be performed again.

#### (3) Ultrasonic cleaning

Depending on the usage conditions, there is a possibility that the crystal oscillator will be damaged by resonance during ultrasonic cleaning. Since the conditions under which ultrasonic cleaning is carried out (the type of cleaner, power level, time, state of the inside of the cleaning vessel, etc.) vary widely, this device is not warranted against damage during ultrasonic cleaning.

#### (4) Mounting orientation

This device can be damaged if it is mounted in the wrong orientation. Always confirm the orientation of the device before mounting.

#### (5) Leakage between pins

Leakage between pins may occur if the power is turned on while the device has condensation or dirt on it. Make sure the device is dry and clean before supplying power to it.

Fig. 1 : Example GND Pattern

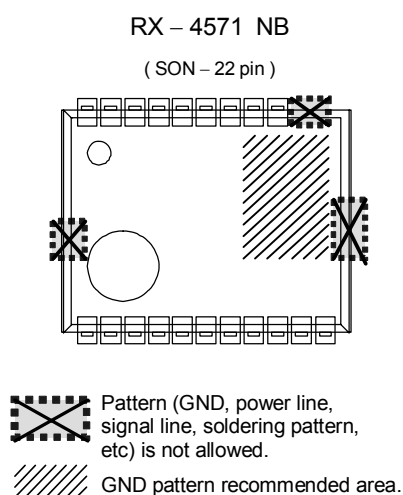
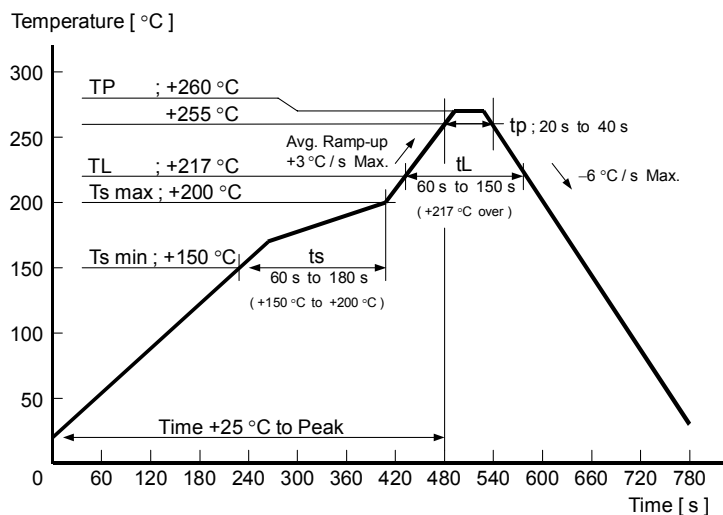


Fig. 2 : Reference profile for our evaluation of Soldering heat resistance.



## 12. Overview of Functions and Description of Registers

### 12.1. Overview of Functions

#### 1) Clock functions

This function is used to set and read out month, day, hour, date, minute, second, and year (last two digits) data.

Any (two-digit) year that is a multiple of 4 is treated as a leap year and calculated automatically as such until the year 2099.

\* For details, see "13.1. Description of Registers".

#### 2) Fixed-cycle interrupt generation function

The fixed-cycle timer interrupt generation function generates an interrupt event periodically at any fixed cycle set between 244.14  $\mu$ s and 4096 minutes.

When an interrupt event is generated, the /TIRQ pin goes to low level ("L") and "1" is set to the TF bit to report that an event has occurred..

This function can be selected from two types of operations (single-shot operations and repeated operations).

\* For details, see "13.2. Fixed-cycle Interrupt Function".

#### 3) Alarm interrupt function

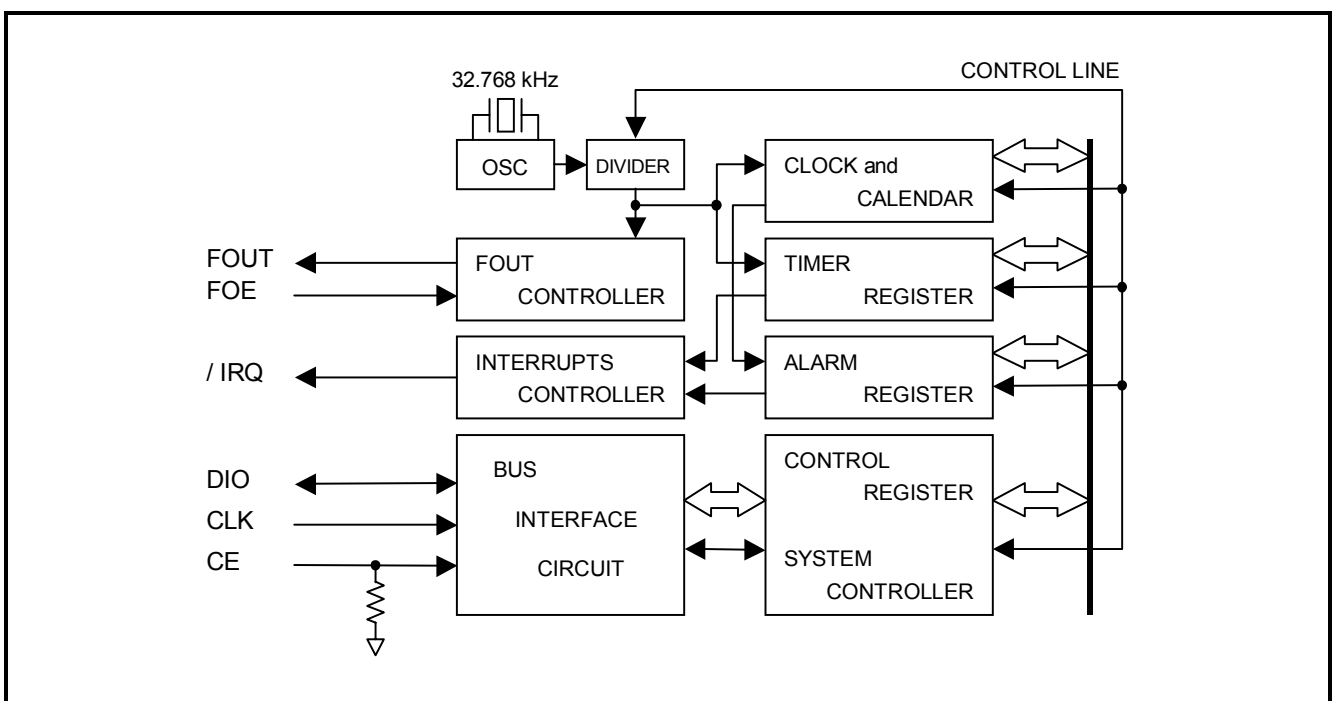
The alarm interrupt generation function generates interrupt events for alarm settings such as date, day, hour, and minute settings.

When an interrupt event occurs, the AF bit value is set to "1" and the /IRQ pin goes to low level to indicate that an event has occurred.

\* For details, see "13.3. Alarm Interrupt Function".

#### 4) Clock output function

A clock with the same frequency (32.768 kHz) as the built-in crystal resonator can be output from the FOUT pin (CMOS output).



12.2. Register table

Address	Function	bit 7	bit 6	bit 5	bit 4	bit 3	bit 2	bit 1	bit 0	note
0	SEC	○	40	20	10	8	4	2	1	*3
1	MIN	○	40	20	10	8	4	2	1	*3
2	HOUR	○	○	20	10	8	4	2	1	*3
3	WEEK	○	6	5	4	3	2	1	0	*3
4	DAY	○	○	20	10	8	4	2	1	*3
5	MONTH	○	○	○	10	8	4	2	1	*3
6	YEAR	80	40	20	10	8	4	2	1	
7	RAM	•	•	•	•	•	•	•	•	*4
8	MIN Alarm	AE	40	20	10	8	4	2	1	
9	HOUR Alarm	AE	•	20	10	8	4	2	1	*4
A	DAY Alarm	AE	6	5	4	3	2	1	0	*4
	DAY Alarm		•	20	10	8	4	2	1	
B	Timer Counter 0	128	64	32	16	8	4	2	1	–
C	Timer Counter 1	•	•	•	•	2048	1024	512	256	*4
D	Extension Register	<u>TEST1</u>	WADA	○	TE	FSEL1	FSEL0	TSEL1	TSEL0	*1, *3
E	Flag Register	<u>TEST2</u>	○	○	TF	AF	○	VLF	<u>RSV</u>	*1, *3, *5
F	Control Register	<u>TEST3</u>	○	○	TIE	AIE	○	STOP	○	*3

Note During the initial power-on (from 0 V) and if the value of the VLF bit is "1" when the VLF bit is read, be sure to initialize all registers before using them.  
 When doing this, be careful to avoid setting incorrect data as the date or time, as timed operations cannot be guaranteed if incorrect date or time data has been set.

- \*1. During the initial power-on (from 0 V), the power-on reset function sets "1" to the VLF bit.  
 \* Since the value of other registers is undefined at this time, be sure to reset all registers before using them.
- \*2. The TEST1, TEST2, TEST3 bits are Epson Toyocom test bits.  
 \* Be sure to write "0" by initializing before using the clock module. Afterward, be sure to set "0" when writing.  
 \* The four TEST\* bits are undefined when read. Those bits should be masked after being read.
- \*3. The '○' mark indicates a write-prohibited bit, which returns a "0" when read.
- \*4. The '•' mark indicates a read/write-accessible RAM bit for any data.
- \*5. The RSV bit are Epson Toyocom test bits.  
 \* Be sure to write "0" by initializing before using the clock module. Afterward, be sure to set "0" when writing.  
 \* The four RSV bits are undefined when read. Those bits should be masked after being read.

### 13. Description of Functions

#### 13.1. Description of registers

##### 13.1.1. Clock counter ( Reg - 0[h] ~ 2[h] )

Address [h]	Function	bit 7	bit 6	bit 5	bit 4	bit 3	bit 2	bit 1	bit 0
0	SEC	○	40	20	10	8	4	2	1
1	MIN	○	40	20	10	8	4	2	1
2	HOUR	○	○	20	10	8	4	2	1

- The clock counter counts seconds, minutes, and hours.
- The data format is BCD format. For example, when the "seconds" register value is "0101 1001" it indicates 59 seconds.
- \* Note with caution that writing non-existent time data may interfere with normal operation of the clock counter.

##### 1) Second counter ( Reg - 0[h] )

This counter counts seconds.

Count values are updated as: 00 seconds, 01 second, 02 to 59 seconds, 00 seconds, 01 second, etc. in that order. When writing is performed to this register, Internal-count-down-chain less than one second is cleared to 0.

##### 2) Minute counter ( Reg - 1[h] )

This counter counts minutes.

Count values are updated as: 00 minutes, 01 minute, 02 to 59 minutes, 00 minutes, 01 minute, etc. in that order.

##### 3) Hour counter ( Reg - 2[h] )

This counter counts hours.

Count values are updated as: 00 hours, 01 hour, 02 to 23 hours, 00 hours, 01 hour, etc. in that order.

##### 13.1.2. . Day counter ( Reg - 3[h] )

Address [h]	Function	bit 7	bit 6	bit 5	bit 4	bit 3	bit 2	bit 1	bit 0
3	WEEK	○	6	5	4	3	2	1	0

- The day (of the week) is indicated by 7 bits, bit 0 to bit 6.  
The day data values are counted as: Day 01h → Day 02h → Day 04h → Day 08h → Day 10h → Day 20h → Day 40h → Day 01h → Day 02h, etc.
- The correspondence between days and count values is shown below.

[ WEEK ]	bit 7	bit 6	bit 5	bit 4	bit 3	bit 2	bit 1	bit 0	Day	Data [h]
Write / Read	0	0	0	0	0	0	0	1	Sunday	01 h
	0	0	0	0	0	0	1	0	Monday	02 h
	0	0	0	0	0	1	0	0	Tuesday	04 h
	0	0	0	0	1	0	0	0	Wednesday	08 h
	0	0	0	1	0	0	0	0	Thursday	10 h
	0	0	1	0	0	0	0	0	Friday	20 h
	0	1	0	0	0	0	0	0	Saturday	40 h
Write prohibit	* Do not set "1" to more than one day at the same time. Also, note with caution that any setting other than the seven shown above should not be made as it may interfere with normal operation.								–	–



13.1.3. Calendar counter ( Reg - 04[h] ~ 06[h] )

Address [h]	Function	bit 7	bit 6	bit 5	bit 4	bit 3	bit 2	bit 1	bit 0
4	DAY	○	○	20	10	8	4	2	1
5	MONTH	○	○	○	10	8	4	2	1
6	YEAR	80	40	20	10	8	4	2	1

- The auto calendar function updates all dates, months, and years from January 1, 2001 to December 31, 2099.
- The data format is BCD format. For example, a date register value of "0011 0001" indicates the 31st.
- \* Note with caution that writing non-existent date data may interfere with normal operation of the calendar counter.

1) [ DAY ] register ( Reg – 04 [h] )

- This is the date counter.  
Updating of this counter varies depending on the month.
- \* A leap year is set whenever the year value is a multiple of four (such as 04, 08, 12, 88, 92, or 96). In February of a leap year, the counter counts dates from "01," "02," "03," to "28," "29," "01," etc.

DAY	Month	Date update pattern
Write/Read	1, 3, 5, 7, 8, 10, or 12	01, 02, 03 ~ 30, 31, 01 ~
	4, 6, 9, or 11	01, 02, 03 ~ 30, 01, 02 ~
	February in normal year	01, 02, 03 ~ 28, 01, 02 ~
	February in leap year	01, 02, 03 ~ 28, 29, 01 ~

2) [ MONTH ] register ( Reg – 05 [h] )

- This is the month counter.  
It is updated in annual cycles of regularly ordered months (January, February, March, etc.).

3) [ YEAR ] register ( Reg – 06 [h] )

- This is the year counter.  
It is updated in 100-year cycles of regularly ordered years (00, 01, 02 to 99, etc.).
- Any year that is a multiple of four (04, 08, 12, 88, 92, 96, etc.) is handled as a leap year.

13.1.4. RAM register ( Reg - 7[h] )

Address [h]	Function	bit 7	bit 6	bit 5	bit 4	bit 3	bit 2	bit 1	bit 0
7	RAM	•	•	•	•	•	•	•	•

- This RAM register is read/write accessible for any data in the range from 00 h to FF h.

## 13.1.5. Alarm registers ( Reg - 8[h] ~ A[h] )

Address [h]	Function	bit 7	bit 6	bit 5	bit 4	bit 3	bit 2	bit 1	bit 0
8	MIN Alarm	AE	40	20	10	8	4	2	1
9	HOUR Alarm	AE	•	20	10	8	4	2	1
A	WEEK Alarm	AE	6	5	4	3	2	1	0
	DAY Alarm		•	20	10	8	4	2	1

- The alarm interrupt function is used, along with the AE, AF, and WADA bits, to set alarms for specified date, day, hour, and minute values.
- When the settings in the above alarm registers and the WADA bit match the current time, the /IRQ pin goes to low level and "1" is set to the AF bit to report that an alarm interrupt event has occurred.

\* For details, see "13.3. Alarm Interrupt Function".

## 13.1.6. Timer setting and Timer counter register ( Reg - C[h] ~ D[h] )

Address [h]	Function	bit 7	bit 6	bit 5	bit 4	bit 3	bit 2	bit 1	bit 0
B	Timer Setup	128	64	32	16	8	4	2	1
C	Timer Counter	•	•	•	•	2048	1024	512	256

- This register is used to set the default (preset) value for the counter. Any count value from 1 (001 h) to 4095 (FFFh) can be set
- To use the fixed-cycle timer interrupt function, the TE, TF, TIE, TSEL0, and TSEL1 bits are set and used.
- When this down counter's count value changes from 001h to 000h, when TF bit = "1", or when the /IRQ pin is at low level ("L"), it indicates that a fixed-cycle timer interrupt event has occurred.

\* When the fixed-cycle timer interrupt function is not being used, the fixed-cycle timer control register (Reg – B to C) can be used as a RAM register. In such cases, stop the fixed-cycle timer function by writing "0" to the TE and TIE bits.

\* For details, see "13.2. Fixed-cycle Timer Interrupt Function".

## 13.1.7. Extension Register ( Reg – D [h] )

Address [h]	Function	bit 7	bit 6	bit 5	bit 4	bit 3	bit 2	bit 1	bit 0
D	Extension Register	<u>TEST1</u>	WADA	○	TE	FSEL1	FSEL0	TSEL1	TSEL0

- This register is used to specify the target for the alarm function or time update interrupt function and to select or set operations such as fixed-cycle timer operations.

1) TEST1 bit

This bit is the manufacturer's test bit.

Always leave this bit value as "0" except when testing.

Be careful to avoid writing to this bit when writing "1" to other bits in this register.

\* The three TEST\* bits are undefined when read. Those bits should be masked after being read.

## 2) WADA bit ( Week Alarm / Day Alarm Select )

This bit is used to specify either WEEK or DAY as the target of the alarm interrupt function.

Writing a "1" to this bit specifies DAY as the comparison object for the alarm interrupt function.

Writing a "0" to this bit specifies WEEK as the comparison object for the alarm interrupt function.

## 3) TE bit ( Timer Enable )

This bit is used to control operation of the fixed-cycle timer interrupt function.

When "1" is written to this bit, the fixed-cycle timer interrupt function starts operating.

When "0" is written to this bit, the fixed-cycle timer interrupt function stops operating.

\* For details, see "13.2. Fixed-cycle Timer Interrupt Function".

## 4) FSEL1, FSEL0 bits ( Frequency Select 1, 0 )

A combination of the FSEL1 and FSEL0 bits is used to select the frequency to be output.

The choice is possible by a combination of FSEL-bits and FOE-pin, select the frequency of clock output or inhibit the clock output.

## 5) TSEL1, TSEL0 bits ( Timer Select 1, 0 )

These bits specify the fixed-cycle timer interrupt function's countdown period (source clock).

Four different periods can be selected via combinations of these two bit values.

\* For details, see "13.2. Fixed-cycle Timer Interrupt Function".

13.1.8. Flag Register ( Reg – 0E [h] )

Address [h]	Function	bit 7	bit 6	bit 5	bit 4	bit 3	bit 2	bit 1	bit 0
E	Flag Register	<u>TEST2</u>	○	○	TF	AF	○	VLF	<u>RSV</u>

- This is a flag register that indicates circumstantial results, such as the state of power supply, the generated state of various interrupt events, the reliability of internal data, and the like.

1) TEST2, RSV bit

Those bits are the manufacturer's test bit.

Always leave this bit value as "0" except when testing.

Be careful to avoid writing to this bit when writing "1" to other bits in this register.

\* The three TEST\* bits are undefined when read. Those bits should be masked after being read.

2) TF bit ( Timer Flag )

This flag bit holds the result of the detection of a fixed-cycle timer interrupt event.

If a fixed-cycle timer interrupt event is generated, this bit shifts from "0" to "1."

\* For details, see "13.2. Fixed-cycle Timer Interrupt Function".

3) AF bit ( Alarm Flag )

This is a flag bit that retains the result when an alarm interrupt event has been detected.

When an alarm interrupt event occurs, this bit's value changes from "0" to "1".

\* For details, see "13.4. Alarm Interrupt Function".

4) VLF bit ( Voltage Low Flag )

This flag bit indicates the retained status of clock operations or internal data. Its value changes from "0" to "1" when data loss occurs, such as due to a supply voltage drop. Once this flag bit's value is "1", its value is retained until a "0" is written to it.

During the initial power-on (from 0 V) and if the value of the VLF bit is "1" when the VLF bit is read, be sure to initialize all registers before using them.

VLF	Data	Description
Write	0	The VLF is cleared to 0, and waiting for next low voltage detection.
	1	It is impossible to write in 1 to VLF.
Read	0	RTC register data are valid.
	1	RTC register data are invalid. Should be initialized of all register data. VLF is maintained till it is cleared by zero.

## 13.1.9. Control Register ( Reg – 0F [h] )

Address [h]	Function	bit 7	bit 6	bit 5	bit 4	bit 3	bit 2	bit 1	bit 0
F	Control Register	<u>TEST3</u>	○	○	TIE	AIE	○	STOP	○

- This is a flag register that indicates circumstantial results, such as the state of power supply, the generated state of various interrupt events, the reliability of internal data, and the like.

1) TEST3 bit

This bit is the manufacturer's test bit.

Always leave this bit value as "0" except when testing.

Be careful to avoid writing to this bit when writing "1" to other bits in this register.

\* The three *TEST\** bits are undefined when read. Those bits should be masked after being read.

## 2) TIE bit ( Timer Interrupt Enable )

This bit sets the operation of the /IRQ interrupt signal when a fixed-cycle interrupt event has occurred (the TF bit value changes from "0" to "1").

When a "1" is written to this bit, occurrence of an interrupt event causes a low-level interrupt signal to be output from /IRQ pin.

Writing "0" to this bit prohibits low-level output from the /IRQ pin.

\* For details, see "13.2. Fixed-cycle Timer Interrupt Function".

## 3) AIE bit ( Alarm Interrupt Enable )

This bit sets the operation of the /IRQ interrupt signal when an alarm interrupt event has occurred (the AF bit value changes from "0" to "1").

When a "1" is written to this bit, occurrence of an interrupt event causes a low-level interrupt signal to be output from /IRQ pin.

Writing "0" to this bit prohibits low-level output from the /IRQ pin.

\* For details, see "13.4. Alarm Interrupt Function".

## 4) STOP bit

This bit is used to stop functions related to the RTC's internal counter operations.

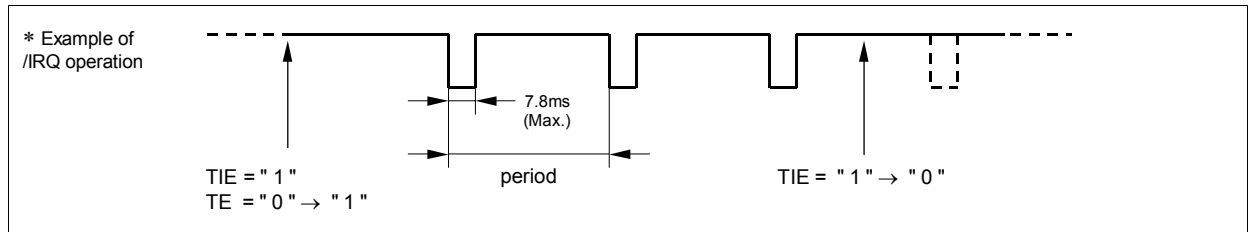
Writing a "1" to this bit stops the counter operations.

Writing a "0" to this bit cancels stop status (restarts counter operations).

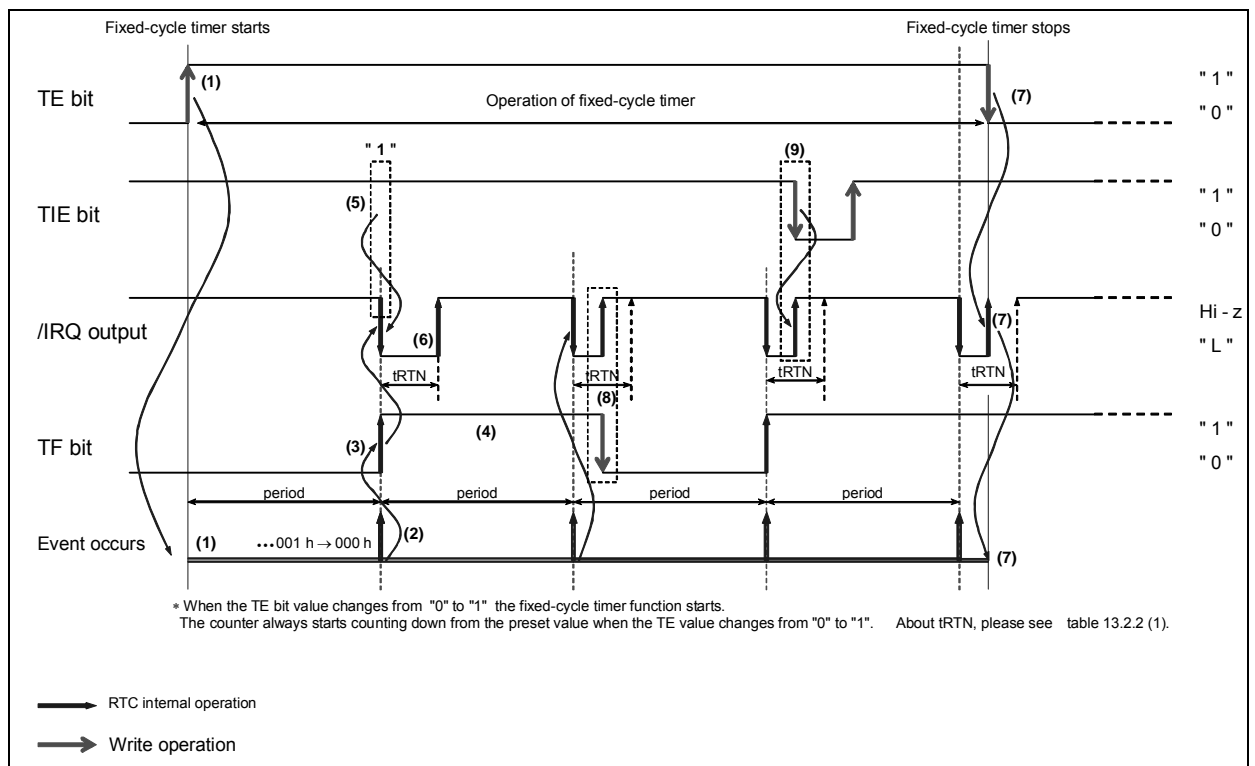
\* For optimum performance, do not use this bit for functions other than the clock and calendar functions.

13.2. Fixed-cycle Timer Interrupt Function

The fixed-cycle timer interrupt generation function generates an interrupt event periodically at any fixed cycle set between 244.14  $\mu$ s and 4095 minutes. When an interrupt event is generated, the /IRQ pin goes to low level and "1" is set to the TF bit to report that an event has occurred. (However, when a fixed-cycle timer interrupt event has been generated low-level output from the /IRQ pin occurs only when the value of the control register's TIE bit is "1". Up to 7.8 ms after the interrupt occurs, the /IRQ status is automatically cleared (/IRQ status changes from low-level to Hi-Z).



13.2.1. Diagram of fixed-cycle timer interrupt function



- (1) When a "1" is written to the TE bit, the fixed-cycle timer countdown starts from the preset value.
- (2) A fixed-cycle timer interrupt event starts a countdown based on the countdown period (source clock). When the count value changes from 001h to 000h, an interrupt event occurs.  
\* After the interrupt event that occurs when the count value changes from 001h to 000h, the counter automatically reloads the preset value and again starts to count down. (Repeated operation)
- (3) When a fixed-cycle timer interrupt event occurs, "1" is set to the TF bit.
- (4) When the TF bit = "1" its value is retained until it is cleared to zero.
- (5) If the TIE bit = "1" when a fixed-cycle timer interrupt occurs, /IRQ pin output goes low.  
\* If the TIE bit = "0" when a fixed-cycle timer interrupt occurs, /IRQ pin output remains Hi-Z.
- (6) Output from the /IRQ pin remains low during the tRTN period following each event, after which it is automatically cleared to Hi-Z status.  
\* /IRQ is again set low when the next interrupt event occurs.
- (7) When a "0" is written to the TE bit, the fixed-cycle timer function is stopped and the /IRQ pin is set to Hi-Z status.
- (8) When /IRQ = low, the /IRQ pin status changes from low to Hi-Z as soon as the TF bit value changes from "1" to "0".
- (9) When /IRQ = low, the /IRQ pin status changes from low to Hi-Z as soon as the TIE bit value changes from "1" to "0".

13.2.2. Related registers for function of fixed-cycle timer interrupt function

Address [h]	Function	bit 7	bit 6	bit 5	bit 4	bit 3	bit 2	bit 1	bit 0
B	Timer Counter 0	128	64	32	16	8	4	2	1
C	Timer Counter 1	•	•	•	•	2048	1024	512	256
D	Extension Register	<u>TEST1</u>	WADA	○	TE	FSEL1	FSEL0	TSEL1	TSEL0
E	Flag Register	<u>TEST2</u>	○	○	TF	AF	○	VLF	<u>RSV</u>
F	Control Register	<u>TEST3</u>	○	○	TIE	AIE	○	STOP	○

\* Before entering operation settings, we recommend first clearing the TE bit to "0" and then clearing the TF and TIE bits to "0" in that order, so that all control-related bits are zero-cleared (= set to operation stop mode) to prevent hardware interrupts from occurring inadvertently while entering settings.

\* When the fixed-cycle timer interrupt function is not being used, the fixed-cycle timer control register (Reg – 0B to 0C) can be used as a RAM register. In such cases, stop the fixed-cycle timer function by writing "0" to the TE and TIE bits.

1) TSEL1, TSEL0 bits ( Timer Select 1, 0 )

The combination of these two bits is used to set the countdown period (source clock) for the fixed-cycle timer interrupt function (four settings can be made).

TSEL1, 0	TSEL1 ( bit 1 )	TSEL0 ( bit 0 )	Source clock	Auto reset time tRTN	Effects of STOP and RESET bits
W / R	0	0	4096 Hz /Once per 244.14 μs	122 μs	–
	0	1	64 Hz /Once per 15.625 ms	7.813 ms	* Does not operate when the STOP bit or RESET bit value is "1".
	1	0	1 Hz /Once per second	7.813 ms	
	1	1	1/60 Hz /Once per minute	7.813 ms	

\*1) The /IRQ pin's auto reset time (tRTN) varies as shown above according to the source clock setting.

\*2) An interrupt that occurs when the source clock is in 1 Hz mode is not linked to the internal clock.

\*3) An interrupt that occurs when the source clock is in 1/60 Hz mode is linked to the internal clock's "minute" update operation.

2) Down counter for fixed-cycle timer ( Timer Counter 1, 0 )

This register is used to set the default (preset) value for the counter. Any count value from 1 (001h) to 4095 (FFFh) can be set. The counter counts down based on the source clock's period, and when the count value changes from 001h to 000h, the TF bit value becomes "1".

The countdown that starts when the TE bit value changes from "0" to "1" always begins from the preset value.

Be sure to write "0" to the TE bit before writing the preset value. If a value is written while TE = "1" the first subsequent event will not be generated correctly.

Address 0C Timer Counter:1								Address 0B Timer Counter:0							
bit 7	bit 6	bit 5	bit 4	bit 3	bit 2	bit 1	bit 0	bit 7	bit 6	bit 5	bit 4	bit 3	bit 2	bit 1	bit 0
•	•	•	•	2048	1024	512	256	128	64	32	16	8	4	2	1

\* When TE=1, read out data of timer counter is default(Preset) value.

And when TE=0, read out data of timer counter is just counting value.

But , when access to timer counter data, counting value is not held.

Therefore, for example, perform twice read access to obtain right data, and a way to adopt the case that two data accorded is necessary.

You can use timer registers as RAM, when you do not use timer functions.

In this case, clear the TE and TIE, should stop the timer interrupt function.

3) TE bit ( Timer Enable )

When TE bit is "0", the default (preset) can be checked by reading this register.

TE	Data	Description
Write / Read	0	Stops fixed-cycle timer interrupt function. * Clearing this bit to zero does not enable the /IRQ low output status to be cleared (to Hi-Z).
	1	Starts fixed-cycle timer interrupt function. * The countdown that starts when the TE bit value changes from "0" to "1" always begins from the preset value.

4) TF bit ( Timer Flag )

This is a flag bit that retains the result when a fixed-cycle timer interrupt event is detected.

If it was already cleared to zero, this value changes from "0" to "1" when an event occurs, and the new value is retained.

TF	Data	Description
Write	0	The TF bit is cleared to zero to prepare for the next status detection * Clearing this bit to zero does not enable the /IRQ low output status to be cleared (to Hi-Z).
	1	This bit is invalid after a "1" has been written to it.
Read	0	Fixed-cycle timer interrupt events are not detected.
	1	Fixed-cycle timer interrupt events are detected. (Result is retained until this bit is cleared to zero.)

5) TIE bit ( Timer Interrupt Enable )

This bit is used to control output of interrupt signals from the /IRQ pin when a fixed-cycle timer interrupt event has occurred.

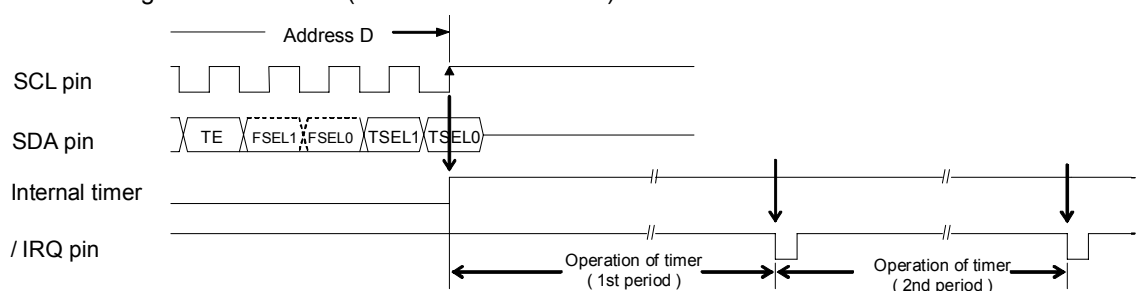
When a "1" is written to this bit, occurrence of an interrupt event causes a low-level interrupt signal to be output from /IRQ pin.

When a "0" is written to this bit, output from the /IRQ pin is prohibited (disabled).

TIE	Data	Description
Write / Read	0	1) When a fixed-cycle timer interrupt event occurs, an interrupt signal is not generated or is canceled (/IRQ status remains Hi-Z). 2) When a fixed-cycle timer interrupt event occurs, the interrupt signal is canceled (/IRQ status changes from low to Hi-Z). * Even when the TIE bit value is "0" another interrupt event may change the /IRQ status to low (or may hold /IRQ = "L").
	1	When a fixed-cycle timer interrupt event occurs, an interrupt signal is generated (/IRQ status changes from Hi-Z to low).

13.2.3. Fixed-cycle timer start timing

Counting down of the fixed-cycle timer value starts at the falling edge of the CLK signal that occurs when the TE value is changed from "0" to "1" (after bit 0 is transferred).





13.2.4. Fixed-cycle timer interrupt interval (example)

The combination of the source clock settings (settings in TSEL1 and TSEL0) and fixed-cycle timer countdown setting (Reg-B to Reg-C setting) sets the fixed-cycle timer interrupt interval, as shown in the following examples.

Timer Counter setting	Source clock			
	4096 Hz TSEL1,0 0, 0	64 Hz TSEL1,0 0, 1	1 Hz TSEL1,0 1, 0	1/60 Hz TSEL1,0 1, 1
0	–	–	–	–
1	244.14 μs	15.625 ms	1 s	1 min
2	488.28 μs	31.25 ms	2 s	2 min
⋮	⋮	⋮	⋮	⋮
41	10.010 ms	640.63 ms	41 s	41 min
82	20.020 ms	1.281 s	82 s	82 min
128	31.250 ms	2.000 s	128 s	128 min
192	46.875 ms	3.000 s	192 s	192 min
205	50.049 ms	3.203 s	205 s	205 min
320	78.125 ms	5.000 s	320 s	320 min
410	100.10 ms	6.406 s	410 s	410 min
640	156.25 ms	10.000 s	640 s	640 min
820	200.20 ms	12.813 s	820 s	820 min
1229	300.05 ms	19.203 s	1229 s	1229 min
1280	312.50 ms	20.000 s	1280 s	1280 min
1920	468.75 ms	30.000 s	1920 s	1920 min
2048	500.00 ms	32.000 s	2048 s	2048 min
2560	625.00 ms	40.000 s	2560 s	2560 min
3200	0.7813 s	50.000 s	3200 s	3200 min
3840	0.9375 s	60.000 s	3840 s	3840 min
⋮	⋮	⋮	⋮	⋮
4095	0.9998 s	63.984 s	4095 s	4095 min

• Fixed-cycle timer interrupt time error and fixed-cycle timer interrupt interval time

A fixed-cycle timer interrupt time error is an error in the selected source clock's <sup>+0</sup>/<sub>-1</sub> interval time. Accordingly, the fixed-cycle timer interrupt's interval (one cycle) falls within the following range in relation to the set time.

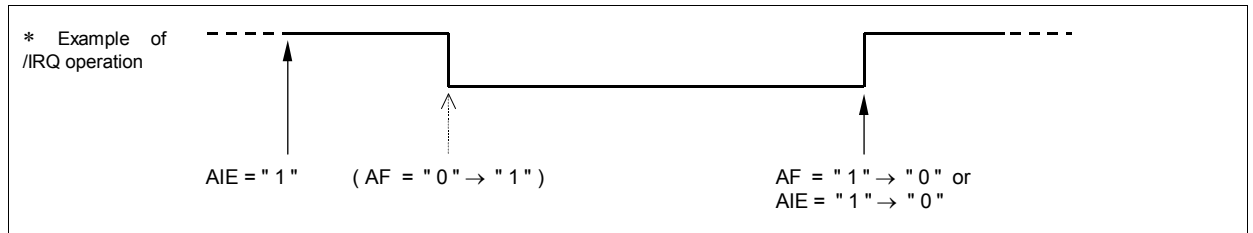
<p>Fixed-cycle timer interrupt's interval                  (Fixed-cycle timer interrupt's set time(*) – source clock interval) to (fixed-cycle timer interrupt set time)                  *) Fixed-cycle timer interrupt's set time = Source clock setting × Countdown timer setting for fixed-cycle timer</p>
--

\* The time actually set to the timer is adjusted by adding the time described above to the communication time for the serial data transfer clock used for the setting.

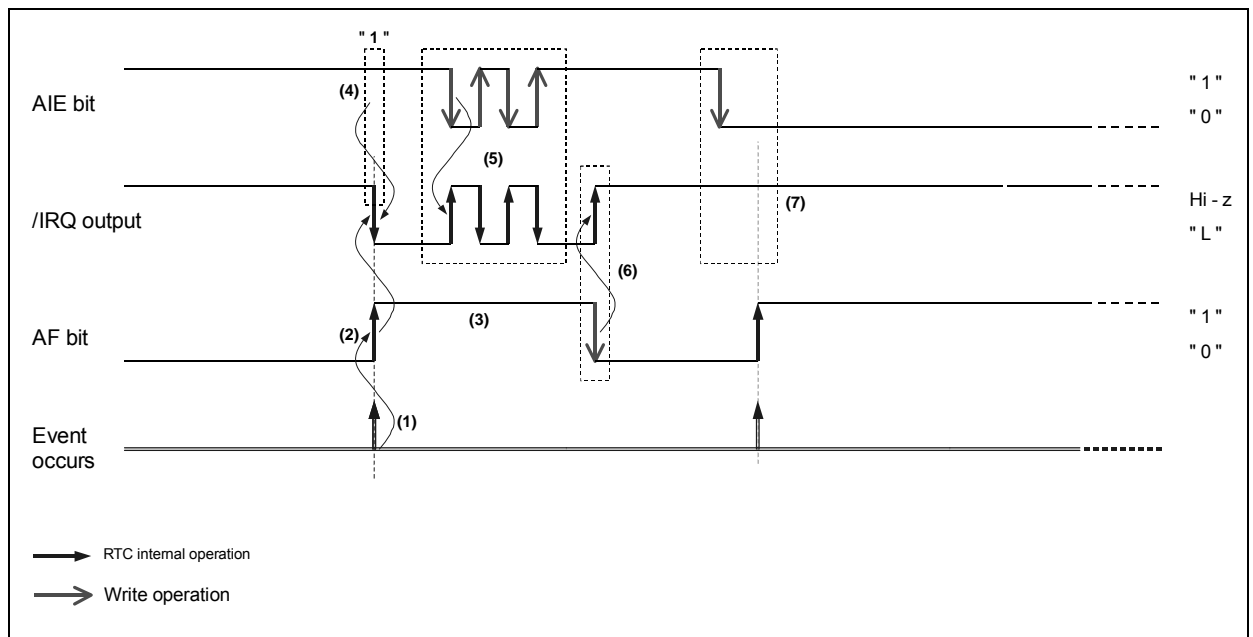
13.3. Alarm Interrupt Function

The alarm interrupt generation function generates interrupt events for alarm settings such as date, day, hour, and minute settings.

When an interrupt event occurs, the AF bit value is set to "1" and the /IRQ pin goes to low level to indicate that an event has occurred.



13.3.1. Diagram of alarm interrupt function



- (1) The hour, minute, date or day when an alarm interrupt event is to occur is set in advance along with the WADA bit, and when the setting matches the current time an interrupt event occurs.  
 (Note) Even if the current date/time is used as the setting, the alarm will not occur until the counter counts up to the current date/time (i.e., an alarm will occur next time, not immediately).
- (2) When a time update interrupt event occurs, the AF bit values becomes "1".
- (3) When the AF bit = "1", its value is retained until it is cleared to zero.
- (4) If AIE = "1" when an alarm interrupt occurs, the /IRQ pin output goes low.  
 \* When an alarm interrupt event occurs, /IRQ pin output goes low, and this status is then held until it is cleared via the AF bit or AIE bit.
- (5) If the AIE value is changed from "1" to "0" while /IRQ is low, the /IRQ status immediately changes from low to Hi-Z. After the alarm interrupt occurs and before the AF bit value is cleared to zero, the /IRQ status can be controlled via the AIE bit.
- (6) If the AF bit value is changed from "1" to "0" while /IRQ is low, the /IRQ status immediately changes from low to Hi-Z.
- (7) If the AIE bit value is "0" when an alarm interrupt occurs, the /IRQ pin status remains Hi-Z.

## 13.3.2. Related registers for Alarm interrupt functions.

Address [h]	Function	bit 7	bit 6	bit 5	bit 4	bit 3	bit 2	bit 1	bit 0
1	MIN	○	40	20	10	8	4	2	1
2	HOUR	○	○	20	10	8	4	2	1
3	WEEK	○	6	5	4	3	2	1	0
4	DAY	○	○	20	10	8	4	2	1
8	MIN Alarm	<b>AE</b>	40	20	10	8	4	2	1
9	HOUR Alarm	<b>AE</b>	•	20	10	8	4	2	1
A	WEEK Alarm	<b>AE</b>	6	5	4	3	2	1	0
	DAY Alarm		•	20	10	8	4	2	1
D	Extension Register	<u>TEST1</u>	<b>WADA</b>	○	TE	FSEL1	FSEL0	TSEL1	TSEL0
E	Flag Register	<u>TEST2</u>	○	○	TF	<b>AF</b>	○	VLF	<u>RSV</u>
F	Control Register	<u>TEST3</u>	○	○	TIE	<b>AIE</b>	○	STOP	○

\* Before entering settings for operations, we recommend writing a "0" to the AIE bit to prevent hardware interrupts from occurring inadvertently while entering settings.

\* When the STOP bit or RESET bit value is "1" alarm interrupt events do not occur.

\* When the alarm interrupt function is not being used, the Alarm registers (Reg - 08h to 0Ah) can be used as a RAM register. In such cases, be sure to write "0" to the AIE bit.

\* When the AIE bit value is "1" and the Alarm registers (Reg - 08h to 0Ah) is being used as a RAM register, /IRQ may be changed to low level unintentionally.

## 1) WADA bit ( Week Alarm / Day Alarm Select )

The alarm interrupt function uses either "Day" or "Week" as its target. The WADA bit is used to specify either WEEK or DAY as the target for alarm interrupt events.

<b>WADA</b>	Data	Description
Write / Read	0	Sets WEEK as target of alarm function (DAY setting is ignored)
	1	Sets DAY as target of alarm function (WEEK setting is ignored)

## 2) Alarm registers ( Reg – 8[h] to A[h] )

The hour, minute, date or day when an alarm interrupt event will occur is set using this register and the WADA bit.

In the WEEK alarm /Day alarm register (Reg - A), the setting selected via the WADA bit determines whether WEEK alarm data or DAY alarm data will be set. If WEEK has been selected via the WADA bit, multiple days can be set (such as Monday, Wednesday, Friday, Saturday).

When the settings made in the alarm registers and the WADA bit match the current time, the AF bit value is changed to "1". At that time, if the AIE bit value has already been set to "1", the /IRQ pin goes low.

\*1) The register that "1" was set to "AE" bit, doesn't compare alarm.

(Example) Write 80h (AE = "1") to the WEEK Alarm /DAY Alarm register (Reg - A):

Only the hour and minute settings are used as alarm comparison targets. The week and date settings are not used as alarm comparison targets.

As a result, alarm occurs if only an hour and minute accords with alarm data.

\*2) If all three AE bit values are "1" the week/date settings are ignored and an alarm interrupt event will occur once per minute.

3) AF bit ( Alarm Flag )

When this flag bit value is already set to "0", occurrence of an alarm interrupt event changes it to "1".  
When this flag bit value is "1", its value is retained until a "0" is written to it.

AF	Data	Description
Write	0	The AF bit is cleared to zero to prepare for the next status detection * Clearing this bit to zero enables /IRQ low output to be canceled (/IRQ remains Hi-Z) when an alarm interrupt event has occurred.
	1	This bit is invalid after a "1" has been written to it.
Read	0	Alarm interrupt events are not detected.
	1	Alarm interrupt events are detected. (Result is retained until this bit is cleared to zero.)

4) AIE bit ( Alarm Interrupt Enable )

When an alarm interrupt event occurs (when the AF bit value changes from "0" to "1"), this bit's value specifies whether an interrupt signal is generated (/IRQ status changes from Hi-Z to low) or is not generated (/IRQ status remains Hi-Z).

AIE	Data	Description
Write / Read	0	1) When an alarm interrupt event occurs, an interrupt signal is not generated or is canceled (/IRQ status remains Hi-Z). 2) When an alarm interrupt event occurs, the interrupt signal is canceled (/IRQ status changes from low to Hi-Z). * Even when the AIE bit value is "0" another interrupt event may change the /IRQ status to low (or may hold /IRQ = "L").
	1	When an alarm interrupt event occurs, an interrupt signal is generated (/IRQ status changes from Hi-Z to low). * When an alarm interrupt event occurs, low-level output from the /IRQ pin occurs only when the AIE bit value is "1". This value is retained (not automatically cleared) until the AF bit is cleared to zero.

13.4.3. Examples of alarm settings

1) Example of alarm settings when "Day" has been specified (and WADA bit = "0")

Day is specified WADA bit = "0"	Reg - A								Reg - 9	Reg - 8
	bit 7 AE	bit 6 S	bit 5 F	bit 4 T	bit 3 W	bit 2 T	bit 1 M	bit 0 S	HOUR Alarm	MIN Alarm
Monday through Friday, at 7:00 AM * Minute value is ignored	0	0	1	1	1	1	1	0	07 h	AE bit = 1
Every Saturday and Sunday, for 30 minutes each hour * Hour value is ignored	0	1	0	0	0	0	0	1	AE bit = 1	30 h
Every day, at 6:59 AM	1	X	X	X	X	X	X	X	18 h	59 h

X: Don't care

2) Example of alarm settings when "Day" has been specified (and WADA bit = "1")

Day is specified WADA bit = "1"	Reg - A								Reg - 9	Reg - 8
	bit 7 AE	bit 6 •	bit 5 20	bit 4 10	bit 3 08	bit 2 04	bit 1 02	bit 0 01	HOUR Alarm	MIN Alarm
First of each month, at 7:00 AM * Minute value is ignored	0	0	0	0	0	0	0	1	07 h	AE bit = 1
15 <sup>th</sup> of each month, for 30 minutes each hour * Hour value is ignored	0	0	0	1	0	1	0	1	AE bit = 1	30 h
Every day, at 6:59 PM	1	X	X	X	X	X	X	X	18 h	59 h

X: Don't care

### 13.4. /IRQ "L" Interrupt Output When Interrupt Function Operates

#### 1) Setting interrupt events to occur in response to /IRQ "L" interrupt output

The /IRQ interrupt output pin is shared as the output pin for two kinds of interrupt events: events related to the fixed-cycle timer interrupt function and events related to the alarm interrupt function.

When an interrupt occurs (when /IRQ is at low level ("L")), read the TF and AF flags to determine which type of interrupt event occurred (which flag value changed to "1").

#### 2) How to prevent /IRQ pin from going to low level ("L")

To prevent the /IRQ pin from going to low level ("L"), clear all TIE and AIE bits to zero.

To detect when an interrupt event has occurred without having to set the /IRQ pin to low level, monitor the TF and AF flag bit values to see if the target interrupt event has occurred (i.e., to see if either flag bit value changes from "0" to "1").

13.5. FOUT function [ clock output function]

The clock signal (with precision equal to that of the on-chip crystal oscillator) can be output (as C-MOS output) via the FOUT pin.

13.5.1. FOUT control register.

Address [h]	Function	bit 7	bit 6	bit 5	bit 4	bit 3	bit 2	bit 1	bit 0
D	Extension Register	<i>TEST1</i>	WADA	○	TE	<b>FSEL1</b>	<b>FSEL0</b>	TSEL1	TSEL0

By a combination of FSEL and FOE, an FOUT terminal outputs 32768Hz and 1024Hz and 1Hz and can stop the output.

13.5.2. FOUT function table.

FOE pin input	FSEL1 bit	FSEL0 bit	FOUT pin output
X ( Don't care )	0	0	32768 Hz Output ( C-MOS output )
	0	1	1024 Hz Output ( C-MOS output )
	1	0	1 Hz Output ( C-MOS output )
" H "	1	1	32768 Hz Output ( C-MOS output ) *1
" L "	1	1	OFF ( high impedance ) *2

\*1 At initial power-on , in case of FOE input is high, 32768Hz is selected automatically by power-on-reset-function.

\*2 The combination to disable the FOUT output is FOE=Low and FSEL=FSEL1 = "1" only. Other combinations output any frequency from FOUT terminal.

\*3 When control about ON and OFF of the output from FOUT by only FSEL, should FOE=L.

FOE pin input	FSEL1 bit	FSEL0 bit	FOUT pin output
" L "	0	0	32768 Hz Output ( C-MOS output )
	0	1	1024 Hz Output ( C-MOS output )
	1	0	1 Hz Output ( C-MOS output )
	1	1	32768 Hz Output ( C-MOS output ) *1

\*4 When control about ON and OFF of the output from FOUT by only by FOE terminal, should FSEL0=FSEL1="0".  
Note: The control frequency is 32768Hz only.

FSEL1 bit	FSEL0 bit	FOE pin input	FOUT pin output
1	1	" H "	32768 Hz Output ( C-MOS output )
		" L "	OFF ( high impedance )

At initial power-on, FSEL0 and FSEL1 are set to "1" by power-on-reset function.

13.5.3. Attention of FOUT function.

Note 1

Valid voltage range for FOUT function is 1.6V to 5.5V. (Please see operating voltage.)

Note 2

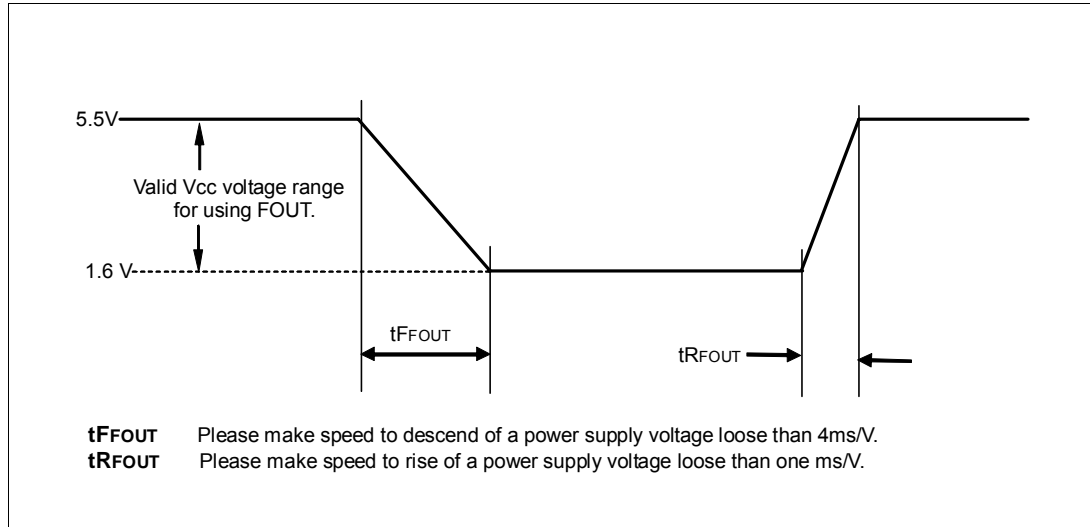
A disappearance of the FOUT output when the voltage sharply went up and down.

For example, Vcc voltage of the RTC is come and go between Main power and backup battery.

The clock output from FOUT disappears then during several milliseconds when a sharp voltage change happens.

Please check that there is not a problem by this characteristic on your system.

An reference example of a power up and down timing without affect to FOUT.



Note 3

The effect of STOP bit to FOUT functions.

When STOP = "1", 32768Hz and 1024Hz output is possible.

But 1Hz output is disabled.

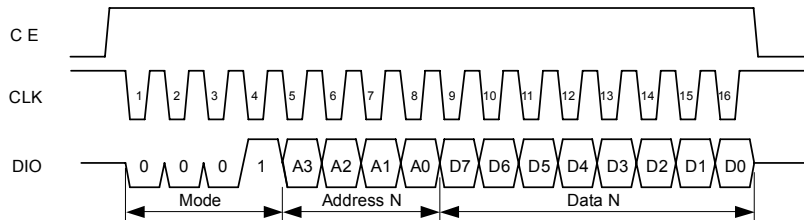
13.6. Read/Write of data

For both read and write, first set up chip condition to CE="H", then specify the 4-bits address, and finally read or write in 8-bits units.

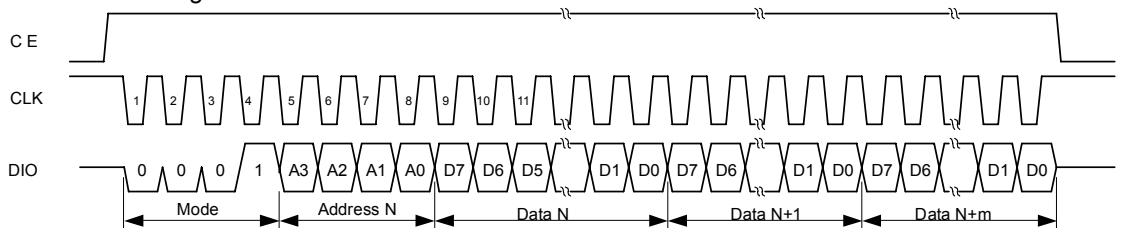
Both read and write use MSB-first. In continuous operation, objected address is auto incremented. Auto incrementing of the address is cyclic, so address "F" is followed by address "0".

13.6.1. Write of data

1) One-shot writing



2) Continuous writing

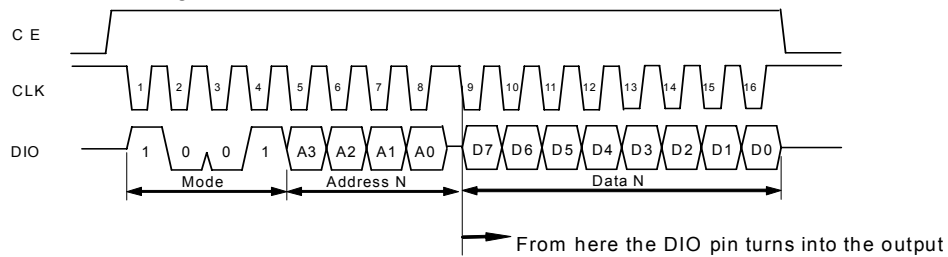


\*When writing data, the data needs to be entered in 8-bits units.

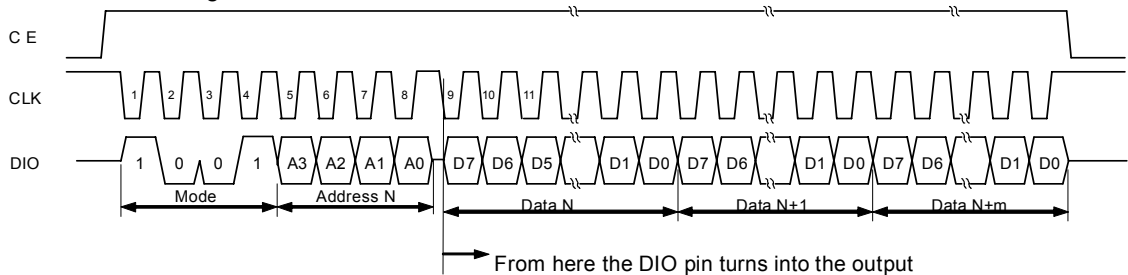
If the input of data in 8-bits unit is not completed before CE input falls, the 8-bits data will not be written properly at the time CE input falls.

13.6.2. Read of data

1) One-shot reading



2) Continuous reading



13.6.3. Write/Read mode setting code for each bank

Mode	設定コード*
Write	1 [h]
Read	9 [h]

\*In the mode setting code, if a value other than those listed is used, the subsequent data will be ignored and the DIO pin remains in the Hi-z state.



# Application Manual

## AMERICA

EPSON ELECTRONICS AMERICA, INC.

HEADQUARTER	2580 Orchard Parkway, San Jose, CA 95131, U.S.A. Phone: (1)800-228-3964 (Toll free) : (1)408-922-0200 (Main) Fax: (1)408-922-0238 <a href="http://www.eea.epson.com">http://www.eea.epson.com</a>
Atlanta Office	One Crown Center 1895 Phoenix Blvd. Suite 348 Atlanta, GA 30349 Phone: (1)800-228-3964 (Toll free) : (1)770-907-7667 (Main)
Boston Office	301 Edgewater Place, Ste. 120, Wakefield, MA 01880, U.S.A. Phone: (1)800-922-7667 (Toll free) : (1)781-246-3600 (Main) Fax: (1)781-246-5443
Chicago Office	1827 Walden Office Square. Suite 450 Schaumburg, IL 60173 Phone: (1)847-925-8350 Fax: (1)847 925-8965
El Segundo Office	1960 E. Grand Ave., 2nd Floor, El Segundo, CA 90245, U.S.A. Phone: (1)800-249-7730 (Toll free) : (1)310-955-5300 (Main) Fax: (1)310-955-5400

## EUROPE

EPSON EUROPE ELECTRONICS GmbH

HEADQUARTER	Riesstrasse 15, 80992 Munich, Germany Phone: (49)-(0)89-14005-0 Fax: (49)-(0)89-14005-110 <a href="http://www.epson-electronics.de">http://www.epson-electronics.de</a>
-------------	---

## ASIA

EPSON (CHINA) CO., LTD.

7F, Jinbao Building No.89 Jinbao Street Dongcheng District, Beijing, China, 100005  
Phone: (86) 10-8522-1199 Fax: (86) 10-8522-1120  
<http://www.epson.com.cn>

Shanghai Branch High-Tech Building, 900 Yishan Road Shanghai 200233, China  
Phone: (86) 21-5423-5577 Fax: (86) 21-5423-4677

EPSON HONG KONG LTD.

20/F., Harbour Centre, 25 Harbour Road, Wanchai, Hong Kong  
Phone: (852) 2585-4600 Fax: (852) 2827-2152  
<http://www.epson.com.hk>

EPSON ELECTRONIC TECHNOLOGY DEVELOPMENT (SHENZHEN) CO., LTD.

12/F, Dawning Mansion, #12 Keji South Road, Hi-Tech Park, Shenzhen, China  
Phone: (86) 755-26993828 Fax: (86) 755-26993838

EPSON TAIWAN TECHNOLOGY & TRADING LTD.

14F, No.7, Song Ren Road, Taipei 110  
Phone: (886) 2-8786-6688 Fax: (886) 2-8786-6660  
<http://www.epson.com.tw>

EPSON SINGAPORE PTE. LTD.

No 1 HarbourFront Place, #03-02 HarbourFront Tower One, Singapore 098633.  
Phone: (65) 6586-5500 Fax: (65) 6271-3182  
<http://www.epson.com.sg>

SEIKO EPSON CORPORATION KOREA Office

50F, KLI 63 Building, 60 Yoido-dong, Youngdeungpo-Ku, Seoul, 150-763, Korea  
Phone: (82) 2-784-6027 Fax: (82) 2-767-3677  
<http://www.epson-device.co.kr>

Gumi Branch Office 2F, Grand Bldg, 457-4, Songjeong-dong Gumi-City, Gyongsangbuk-Do,  
730-090, Korea  
Phone: (82) 54-454-6027 Fax: (82) 54-454-6093

EPSON TOYOCOM CORPORATION

Distributor